

Socket keys

for latches

SPECIFICATION

Types

- Type **DK6,5**: Operation with triangle $h = 6.5$
- Type **DK7**: Operation with triangle $h = 7$
- Type **VK6**: Operation with square $A/F6$
- Type **VK7**: Operation with square $A/F7$
- Type **VK8**: Operation with square $A/F8$
- Type **VDE5**: Operation with double bit $d_2 = 5.6$
- Type **SCH**: Operation with blade / slot

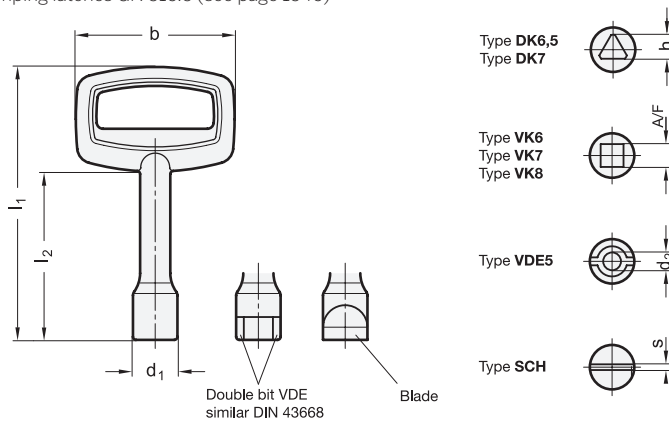
Zinc die casting
plastic coated
black, textured finish **SW**



INFORMATION

Socket keys GN 119.2 are suitable for the following latches:

- Mini-Latches GN 115.1 (see page 1504)
- Stainless Steel-Mini-Latches GN 115.6 (see page 1505)
- Latches, lockable GN 115 (see page 1462)
- Latches, not lockable GN 115 (see page 1465)
- Latches with key GN 115 (see page 1468)
- Stainless Steel-Hygienic latches GN 115 (see page 1471)
- Latches with cabinet "U" handle GN 115.7 (see page 1472)
- Hook-type latches GN 115.8 (see page 1474)
- Latches with gripping tray GN 115.10 (see page 1527)
- Rotary clamping latches GN 116.1 (see page 1494)
- Latches GN 119 (see page 1482)
- Latches with cabinet "U" handle GN 119.3 (see page 1484)
- Rotary clamping latches GN 516 (see page 1542)
- Rotary clamping latches GN 516.1 (see page 1544)
- Stainless Steel-Rotary clamping latches GN 516.5 (see page 1546)



GN 119.2

Description	l1	l2	b	d1	d2	h	s	A/F	For latches	△
GN 119.2-55-DK6,5-SW	55	34	32	11.4	-	6.5	1.3	6	GN 115.1 / GN 115.6	23
GN 119.2-86-DK7-SW	86	53	50	14	5.6	7	1.8	7	GN 115 / GN 115.7 / GN 115.8 / GN 115.10 / GN 116.1 / GN 119 / GN 119.3 / GN 516 / GN 516.1 / GN 516.5	62
GN 119.2-55-SCH-SW	55	34	32	11.4	-	6.5	1.3	6	GN 115.1 / GN 115.6	22
GN 119.2-86-SCH-SW	86	53	50	14	5.6	7	1.8	7	GN 115 / GN 115.7 / GN 115.8 / GN 115.10 / GN 116.1 / GN 119 / GN 119.3 / GN 516 / GN 516.1 / GN 516.5	58
GN 119.2-55-VK6-SW	55	34	32	11.4	-	6.5	1.3	6	GN 115.1 / GN 115.6	20
GN 119.2-86-VDE5-SW	86	53	50	14	5.6	7	1.8	7	GN 115 / GN 115.7 / GN 115.8 / GN 115.10 / GN 116.1 / GN 119 / GN 119.3 / GN 516 / GN 516.1 / GN 516.5	58
GN 119.2-86-VK8-SW	86	53	50	14	-	-	-	8	GN 115 / GN 115.7 / GN 115.8 / GN 115.10 / GN 116.1 / GN 119 / GN 119.3 / GN 516 / GN 516.1 / GN 516.5	50
GN 119.2-86-VK7-SW	86	53	50	14	5.6	7	1.8	7	GN 115 / GN 115.7 / GN 115.8 / GN 115.10 / GN 116.1 / GN 119 / GN 119.3 / GN 516 / GN 516.1 / GN 516.5	61